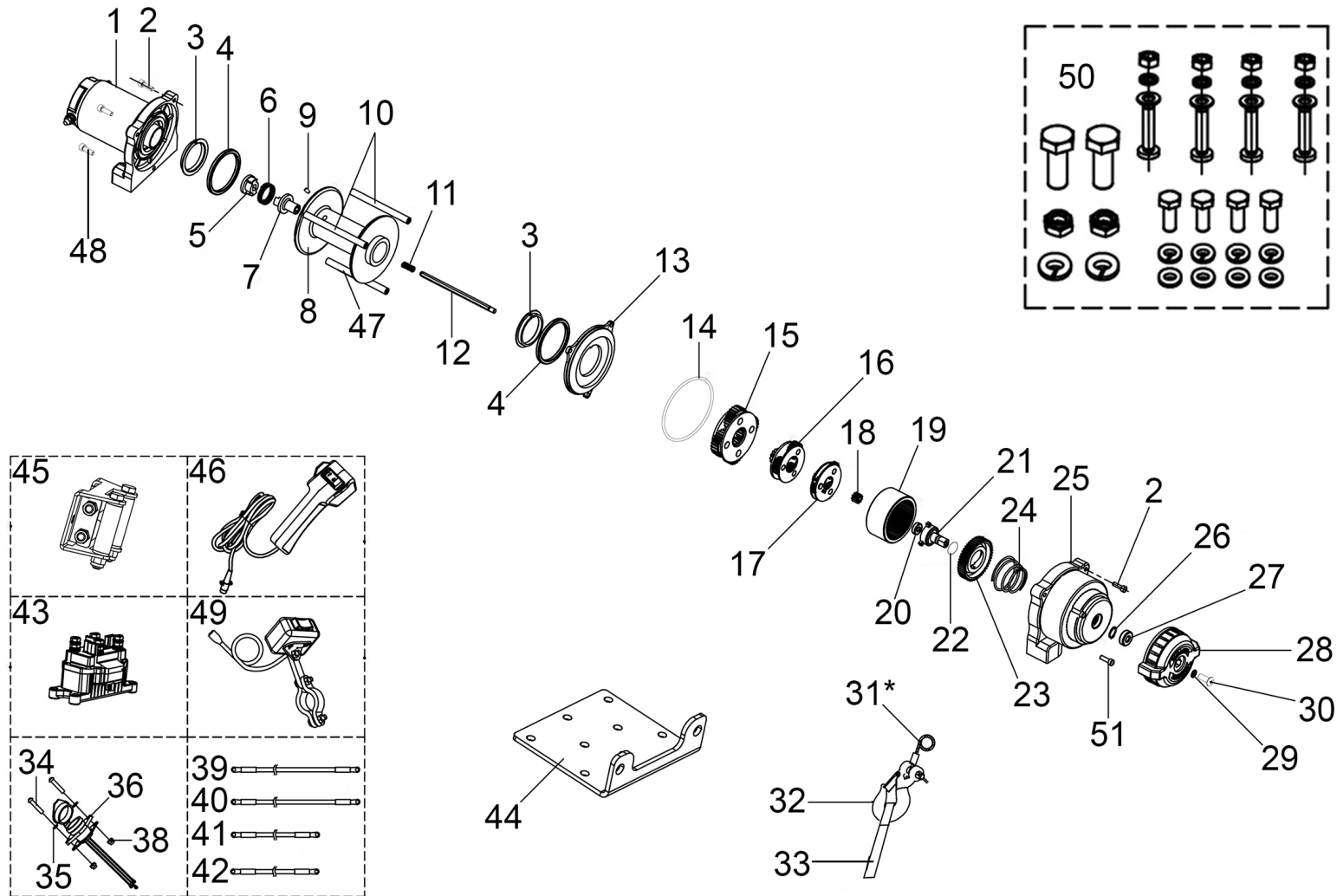




Parts Information:
ATV/Quad Recovery Winch 1135kg (2500lb) Line Pull 12V
Model No: ATV1135.V2



NOTE: It is our policy to continually improve products and as such we reserve the right to alter data, specifications and component parts without prior notice.

There may be alternative versions of this product, please contact us should you require this information.

IMPORTANT: No liability is accepted for incorrect use of product. Spare parts must be fitted by a competent person

WARRANTY: Guarantee is 12 months from purchase date, proof of which will be required for any claim.

Sealey Group, Kempson Way, Suffolk Business Park, Bury St Edmunds, Suffolk. IP32 7AR



01284 757500



sales@sealey.co.uk



www.sealey.co.uk



Parts Information:
**ATV/Quad Recovery Winch 1135kg (2500lb)
Line Pull 12V
Model No: ATV1135.V2**

Item	Part No.	Description
1	ATV1135.V2-01	Motor Assembly 1.05HP 800W
2	SCB516.S	Socket Cap Bolt M5 x 16mm
3	ATV1135.V2-03	Drum Bushing
4	ATV1135.V2-04	Packing Seal
5	ATV1135.V2-05	Coupling A
6	ATV1135.V2-06	Spring, Coupling
7	ATV1135.V2-07	Coupling B
8	ATV1135.V2-08	Drum Assembly
9	ATV2040.08	Csk Head Screw M5 x 10mm
10	ATV2040.V2-10	Tie Bar
11	ATV1135.V2-11	Spring
12	ATV1135.V2-12	Hexagon Shaft
13	ATV1135.V2-13	Cover, Clutch
14	ATV2040.V2-14	O-Ring 100 x 1.9mm
15	ATV1135.V2-15	Gear Carrier Assembly, Output
16	ATV1135.V2-16	Gear Carrier Assembly
17	ATV1135.V2-17	Gear Carrier Assembly, Input
18	ATV1135.V2-18	Sun Gear, Input
19	ATV1135.V2-19	Gear Ring B
20	B/606ZZ	Bearing
21	ATV1135.V2-21	Axis Support Bushing
22	ATV2040.V2-22	O-Ring 19 x 2.4mm
23	ATV1135.V2-23	Cam Clutch Gear
24	ATV1135.V2-24	Clutch Spring
25	ATV1135.V2-25	Gear Housing
26	ATV2040.V2-26	Circlip 15mm

Item	Part No.	Description
27	ATV2040.V2-27	Bearing
28	ATV1135.V2-28	Free Spool Handle
29	SWM6.S	Spring Washer M6
30	SCB616.S	Socket Cap Bolt M6 x 16mm
31*	ATV1135.WR	Wire Rope 4.8mm x 15.2mtr (See Catalogue)
32	WH.01	Winch Hook 1/4"
33	ATV1135.V2-33	Handsaver
34	SS525.S	Hex Head Set Screw M5x25mm
35	FWM5.S	Flat Washer M5
36	ATV1135.V2-36	Hand Remote 3-PIN Cconnector
38	SN5.S	Steel Nut M5
39	ATV1135.V2-39	Motor Wire Set (Yellow)
40	ATV1135.V2-40	Motor Wire Set (Blue)
41	ATV1135.V2-41	Motor Wire Set (Red)
42	ATV1135.V2-42	Motor Wire Set (Black)
43	ATV1135.V2-43	Contactora
44	ATV1135.V2-44	Mounting Plate
45	ATV1135.V2-45	Roller Fairlead
46	ATV1135.V2-46	Hand Remote Assembly
47	ATV1135.V2-47	Hexagon Tie Bar
48	SCB410.S	Socket Cap Bolt M4 x 10mm
49	ATV1135.V2-49	Rocker Switch
50	ATV1135.V2-50	Hardware Kit
51	SCB416.S	Socket Cap Bolt M4 x 16mm
--	ATV1135.V2-37	Water-Proof Cover (Not Shown)

NOTE: It is our policy to continually improve products and as such we reserve the right to alter data, specifications and component parts without prior notice. There may be alternative versions of this product, please contact us should you require this information.

IMPORTANT: No liability is accepted for incorrect use of product. Spare parts must be fitted by a competent person

WARRANTY: Guarantee is 12 months from purchase date, proof of which will be required for any claim.

Sealey Group, Kempson Way, Suffolk Business Park, Bury St Edmunds, Suffolk. IP32 7AR



01284 757500



sales@sealey.co.uk



www.sealey.co.uk